

SENSORES de VISIBILIDAD y TIEMPO PRESENTE Serie PWD-10 / 12 / 22

Folleto Nº 9755.0001



GEONICA, S.A.
EARTH SCIENCES

SINCE
1974

Alejandro Rodríguez, 22-24 28039 Madrid - Spain
Tel.: +34 91 450 51 18 Fax: +34 91 459 46 14

www.geonica.com
e-mail: info@geonica.com

DESCRIPCION

The PWD-series of Present Weather and Visibility Sensors give road and aviation authorities and meteorological organizations the mix they require of visibility measurement range (MOR), characterization of reduced visibility, precipitation type identification, precipitation accumulation/intensity measurement, and report formats (WMO, NWS code tables). The measurement capabilities of the PWD-series sensors can be extended when measurement needs grow. All sensors can be economically upgraded to ensure that the sensor gives full value for many years to come.

The measurement range of the Visibility Sensors PWD10 and PWD20 varies from 10 - 2,000 meters to 10 - 20,000 meters depending on the model. The PWD10 is an ideal choice for road weather

applications whereas PWD20 can be used for diverse applications covering harbors, coastal areas, heliports and windmill parks.

Present Weather Detectors PWD12 and PWD22 are two-in-one forward scatter visibility and present weather sensors. The visibility measurement range of the sensors varies from 10 - 2,000 meters to 10 - 20,000 meters depending on the model. The PWD12 is an ideal choice for road weather applications. The PWD22 is recommended for automatic weather stations that are used for general meteorological applications and aviation applications. The PWD22's ability to detect freezing precipitation and to report present weather in WMO METAR code format makes its as a valuable addition to AWOS systems.

ESPECIFICACIONES TECNICAS

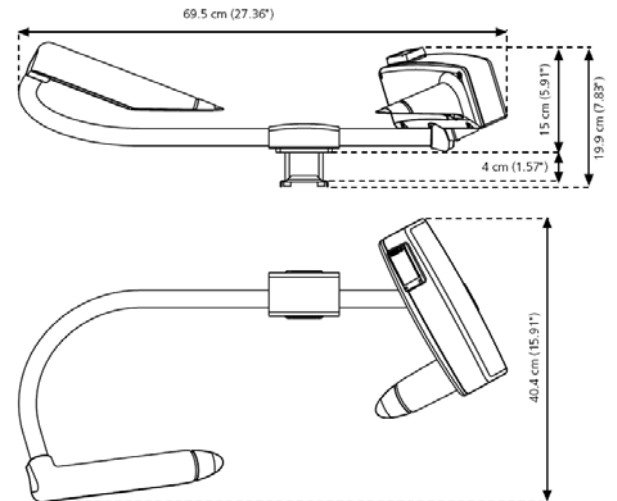
Tiempo Presente

PWD12 Identifies 4 different types of precipitation (rain, drizzle, mixed rain/snow, snow)
Fog, mist, haze (smoke, sand) or clear
Reports WMO 4680 (SYNOP) and NWS code tables

39 different codes supported from WMO 4680 code table

PWD22 Identifies 7 different types of precipitation (rain, freezing rain, drizzle, freezing drizzle, mixed rain/snow, snow, ice pellets)
Fog, mist, haze (smoke, sand) or clear
Reports WMO 4680 (SYNOP), 4678 (METAR) and NWS code tables

49 different codes supported from WMO 4680 code table



Visibilidad

PWD10 and PWD20 Measurement range (MOR) 10...2 000 m

PWD12 and PWD22 Measurement range (MOR) 10...20 000 m



CUADRO RESUMEN DE ESPECIFICACIONES

MODELO	PARAMETRO	RANGO Y SENSIBILIDAD	IDENTIFICA
PWD-10	Visibilidad	10-2000 m	Alcance Visual
PWD-12	Visibilidad	10-2000 m Precisión: ± 10%	Alcance Visual
	Precipitación y Tiempo Presente	Sensibilidad: 0,05 mm/h en 10 minutos	<ul style="list-style-type: none"> • 4 diferentes tipos de Precipitación: <ul style="list-style-type: none"> - Lluvia - Llovizna - Agua-nieve - Nieve • Niebla • Neblina • Calina (humo-arena) • Despejado
PWD-22	Visibilidad	10-20.000 m Precisión: ± 10% (10-10.000m) ± 15% (10-20 Km)	Alcance Visual
	Precipitación y Tiempo Presente	Sensibilidad: 0,05 mm/h en 10 minutos	<ul style="list-style-type: none"> • 7 diferentes tipos de Precipitación: <ul style="list-style-type: none"> - Lluvia - Lluvia congelada - Llovizna - Llovizna congelada - Agua-nieve - Nieve - Pellas de hielo • Niebla • Neblina • Calina (humo-arena) • Despejado

